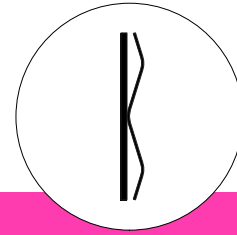
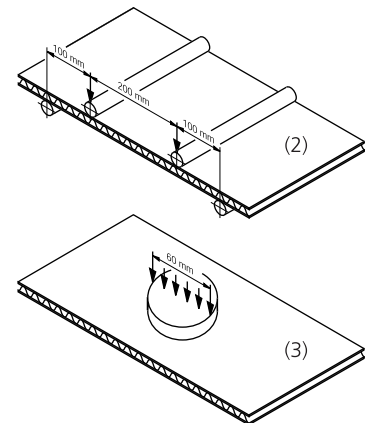


Data sheet

Decorative wavy look



Panel type	Aluflex hl 08-03 hl / H3-M	
Cover sheet		
Thickness of sheet	0.8 mm	(US: 0.032 in)
Surface	primered	
Alloy / Condition	EN AW-5754 H42	
Proof stress $R_{p0.2}$ [N/mm ²]	≥ 140	
Tensile stress R_m [N/mm ²]	≥ 220	
Corrugation		
Thickness of sheet	0.3 mm	(US: 0.012 in)
Surface	primered	
Dimensions		
Overall thickness [mm]*	3.0 ± 0.2	(US: 0.118 in ± 0.008 in)
Standard width [mm]*	1,500 -0/+6 ⁽⁴⁾	(US: 4.92 ft -0/+0.236 in) ⁽⁴⁾
Standard length [mm]*	3,000 -0/+10 ⁽⁵⁾	(US: 9.84 ft -0/+0.394 in)
* other dimensions on request		
Mechanical and physical properties ⁽⁷⁾		
Weight [kg/m ²]	3.3	
Rigidity [Nmm ² /mm] ⁽²⁾ EI/b, longitudinal / transverse	- / -	
Bending moment [Nmm/mm] ⁽²⁾ Limit of elasticity M_{el} , longitudinal / transverse Max. bending moment M_{max} , longitudinal / transverse	- / - - / -	
10%- Compressive strength [N/mm ²] ⁽³⁾	-	
Temperature stability ⁽⁶⁾	-40 to 100 °C (US: -40 to 212 °F)	
Approvals / Certificates	on request	



Aluflex hl 08-03 hl / H3-M

- (1) High Durable Polyester (HDP) coilcoated
Other colours and paint-systems on request.
- (2) Bending test at room temperature following DIN 53293
Since the panel core is a corrugated sheet,
two different load cases have to be considered:
longitudinal: bending axis perpendicular to the corrugation
transverse: bending axis parallel to the corrugation
- (3) Pressure test at room temperature following DIN 53291
- (4) Border margin max. 5 mm (US: max. 0.197 in)
- (5) Cut by hammer shears
- (6) Others on request
- (7) Further characteristics can be supplied on demand